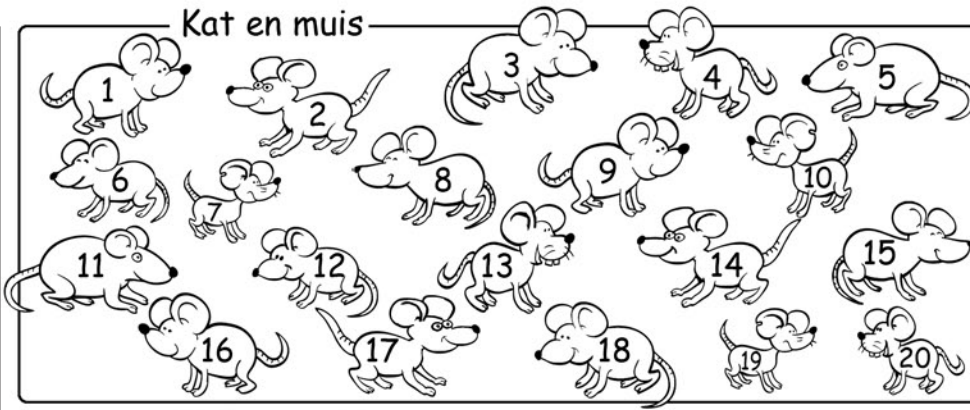


naam:

Kat en muis



$3 + 2 =$

$6 + 3 =$

$2 + 4 =$

$7 + 3 =$

$1 + 3 =$

Rekenmachine

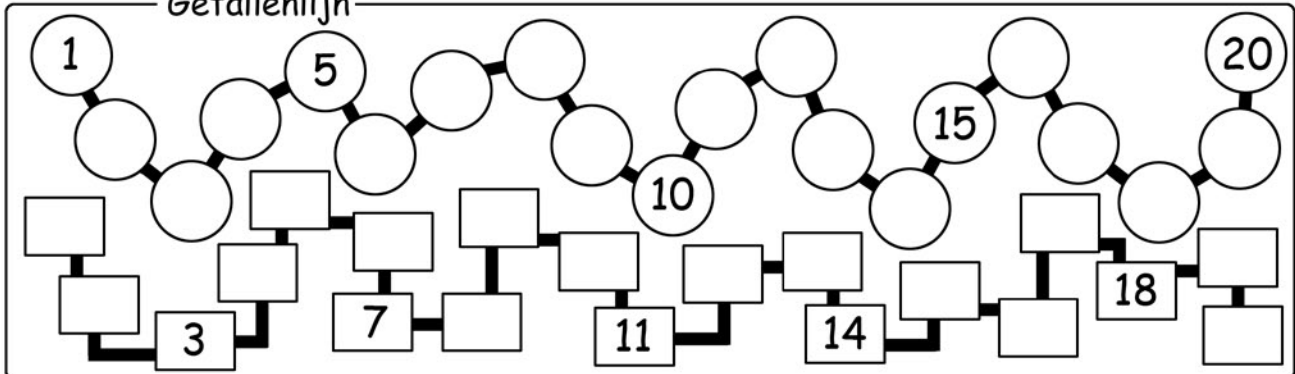
... + ... = 9				
1	2	3	4	5
6	7	8	9	10
11	12	13	14	15
16	17	18	19	20

... + ... = 9				
1	2	3	4	5
6	7	8	9	10
11	12	13	14	15
16	17	18	19	20

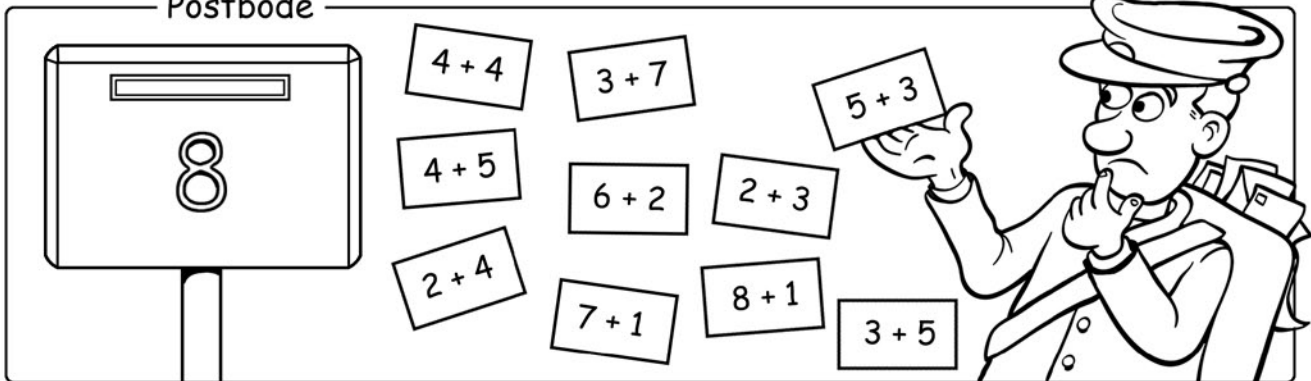
... + ... = 9				
1	2	3	4	5
6	7	8	9	10
11	12	13	14	15
16	17	18	19	20

... + ... = 9				
1	2	3	4	5
6	7	8	9	10
11	12	13	14	15
16	17	18	19	20

Getallenlijn



Postbode



Zoekplaatje

1	5	7	2
8	3	11	4
8	13	12	6
9	2	11	7
3	10	5	1

4 + 4 =	2 + 2 =
5 + 4 =	2 + 3 =
3 + 2 =	3 + 3 =
7 + 1 =	5 + 2 =
6 + 4 =	3 + 4 =